

# KRINNER



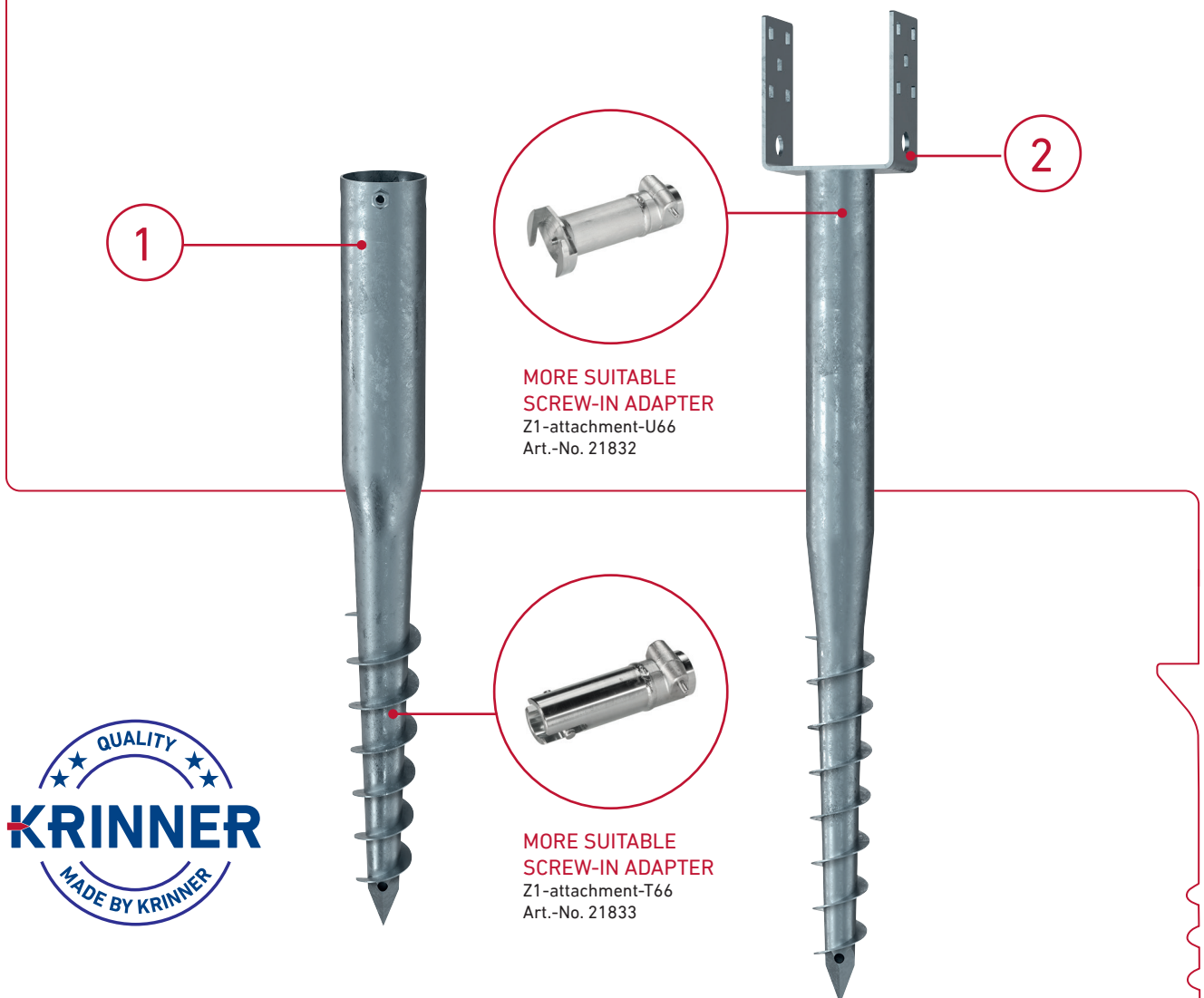
Our new  
DIY assortment

The pioneer in sustainable foundation construction

# The new U60- and G68-series

Our new DIY products with attractive added values.

With our new U-series and the new small G-series you get products in the usual high quality at affordable prices. We are replacing our complete U66- and G66-series. By using standard pipes in production and due to improved logistics processes, we can significantly reduce our prices for you. Small technical changes to the products offer you additional added value.



**1** **NEW PIPE DIAMETER**  
G66 becomes G68. This gives you 4 mm more flexibility and play when inserting the tubular post, which significantly simplifies assembly.

**2** **DISPLACEMENT OF THE SCREW HOLE**  
In the new U60 series, the screw hole is on the U itself and no longer on the pipe. This increases the stability of the foundation and it can be screwed in with standard machines.