

Technical Data Sheet V 76x3,6

Basic Info

| KSF V 76x3,6x 2000-PT | KSF V 76x3,6x 1500 -PT | KSF V 76x3,6x 1500-EH | KSF V 76x3,6x 1500-ET | KSF V 76x3,6x 1500-E | KSF V 76x3,6x 860-E | KSF V 76x3,6x M16 |
|-----------------------------|------------------------------|-----------------------------|-----------------------------|----------------------------|---------------------------|-------------------------|
| Nominal length (mm) | | | | | | |
| 2000 | 1500 | 1500 | 1500 | 1500 | 860 | 300 |
| Tube diameter (mm) | | | | | | |
| 76 | 76 | 76 | 76 | 76 | 76 | 76 |
| Weight (kg) | | | | | | |
| 14 | 11 | 12 | 10 | 10 | 5 | 4 |
| Steel grade (tube) | | | | | | |
| S 235 | S 235 | S 235 | S 235 | S 235 | S 235 | S 235 |
| Item number | | | | | | |
| 25656 | 25655 | 25658 | 25657 | 25659 | 25660 | 25672 |

Construction

- Continuous welded helix
- Average cink layer thickness 70 µm according to DIN EN ISO 1461
- Extra hard Hardox drive point
- 2,5-mm-helix

Accessories



Connection Screw Set 4 pcs.
0,35 kg
Item No. 25654



KSF V
76x3,6xM16



KSF V
76x3,6x2000-PT



KSF V
76x3,6x1500-ET

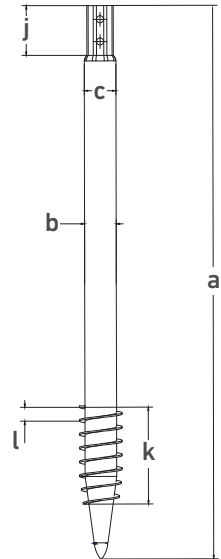
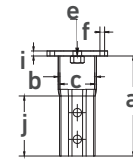
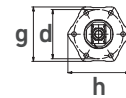


KSF V
76x3,6x1500-EH



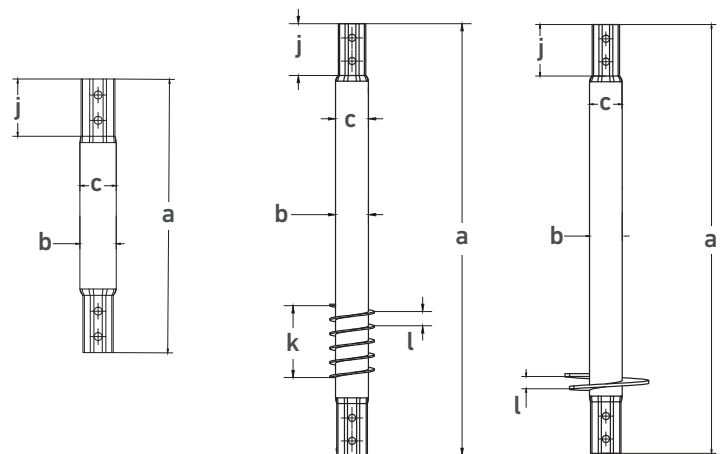
KSF V
76x3,6x860-E





Technical Data

| | KSF V 76x3,6x 2000-PT | KSF V 76x3,6x 1500-PT | KSV F 76x3,6x 1500-EH | KSF V 76x3,6x 1500-ET | KSF V 76x3,6x 1500-E | KSF V 76x3,6x 860-E | KSF V 76x3,6x M16 |
|---|--------------------------------|-----------------------------|-----------------------------|-----------------------------|----------------------------|---------------------------|-------------------------|
| a | Length (mm) | | | | | | |
| | 2000 | 1500 | 1500 | 1500 | 1500 | 860 | 300 |
| b | Outer diameter (mm) | | | | | | |
| | 76 | 76 | 76 | 76 | 76 | 76 | 76 |
| c | Inner diameter (mm) | | | | | | |
| | 69 | 69 | 69 | 69 | 69 | 69 | 69 |
| d | Pitch circle diameter (mm) | | | | | | |
| | - | - | - | - | - | - | 150 |
| e | Central thread | | | | | | |
| | - | - | - | - | - | - | M16 |
| f | Pitch circle holes (mm) | | | | | | |
| | - | - | - | - | - | - | 6 x Ø 14 |
| g | Flange wrench size (mm) | | | | | | |
| | - | - | - | - | - | - | 166 |
| h | Flange outer diameter (mm) | | | | | | |
| | - | - | - | - | - | - | 182 |
| i | Flange thickness (mm) | | | | | | |
| | - | - | - | - | - | - | 10 |
| j | Octagon connection height (mm) | | | | | | |
| | 180 | 180 | 180 | 180 | 180 | 180 | 180 |
| k | Thread length (mm) | | | | | | |
| | 550 | 550 | - | 500 | - | - | - |
| l | Thread pitch (mm) | | | | | | |
| | 50 | 50 | 50 | 50 | - | - | - |



Subject to technical change! Schematic representation!

Krinner Schraubfundamente GmbH | Passauer Straße 55 | D-94342 Straßkirchen
Phone: +49 9424 9401-80 | E-Mail: service@krinner.com | www.krinner.io

V2_042023