

## Technical Data Sheet V 140x6,3

### Basic Info

KSF V 140x6,3x 2000-PT	KSF V 140x6,3x 1500-ET	KSF V 140x6,3x 1500-EH	KSF V 140x6,3x 860-E	KSF V 140x6,3x M24
------------------------------	------------------------------	------------------------------	----------------------------	--------------------------

#### Nominal length (mm)

2000	1500	1500	860	300
------	------	------	-----	-----

#### Tube diameter (mm)

140	140	140	140	140
-----	-----	-----	-----	-----

#### Weight (kg)

47	34	35	17	10
----	----	----	----	----

#### Steel grade (tube)

S 235	S 235	S 235	S 235	S 235
-------	-------	-------	-------	-------

#### Item number

25643	25644	25645	25646	25675
-------	-------	-------	-------	-------

### Construction

- Flange: Sheet metal S 355
- Continuous welded helix
- Average cink layer thickness 100 µm according to DIN EN ISO 1461
- Extra hard Hardox drive point
- Extra thick 6,3-mm-helix

### Accessories



Connection Screw Set 4 pcs.

1,14 kg

Item No. 25648



KSF V  
140x6,3xM24



KSF V  
140x6,3x2000-PT



KSF V  
140x6,3x1500-ET



KSF V

140x6,3x1500-EH



KSF V

140x6,3x860-E



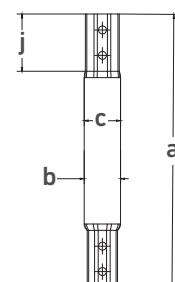
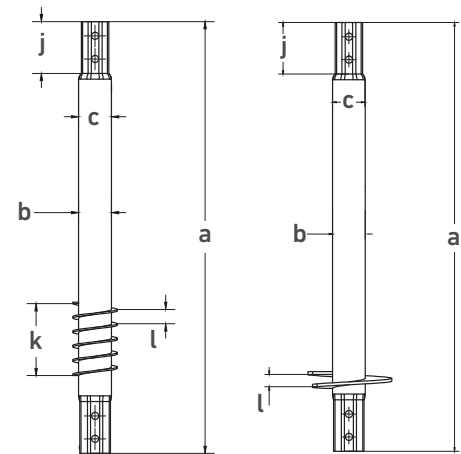
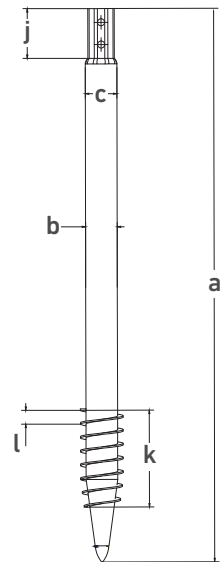
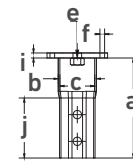
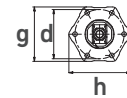
Subject to technical change! Schematic representation!

Krinner Schraubfundamente GmbH | Passauer Straße 55 | D-94342 Straßkirchen  
Phone: +49 9424 9401-80 | E-Mail: service@krinner.com | www.krinner.io

sustainable · durable · revolutionary

## Technical Data

	KSF V 140x6,3x 2000-PT	KSF V 140x6,3x 1500-ET	KSF V 140x6,3x 1500-EH	KSF V 140x6,3x 860-E	KSF V 140x6,3x M24
<b>a</b>	Length (mm)				
	2000	1500	1500	860	300
<b>b</b>	Outer diameter (mm)				
	140	140	140	140	140
<b>c</b>	Inner diameter (mm)				
	127	127	127	127	127
<b>d</b>	Pitch circle diameter (mm)				
	-	-	-	-	180
<b>e</b>	Central thread				
	-	-	-	-	M24
<b>f</b>	Pitch circle holes (mm)				
	-	-	-	-	6 x Ø 14
<b>g</b>	Flange wrench size (mm)				
	-	-	-	-	200
<b>h</b>	Flange outer diameter (mm)				
	-	-	-	-	225
<b>i</b>	Flange thickness (mm)				
	-	-	-	-	15
<b>j</b>	Octagon connection height (mm)				
	180	180	180	180	180
<b>k</b>	Thread length (mm)				
	550	250	-	-	-
<b>l</b>	Thread pitch (mm)				
	50	50	50	-	-



Subject to technical change! Schematic representation!

Krinner Schraubfundamente GmbH | Passauer Straße 55 | D-94342 Straßkirchen  
Phone: +49 9424 9401-80 | E-Mail: service@krinner.com | www.krinner.io

V2\_042023