

Technical Data Sheet V 140x6,3

Basic Info

KSF V 140x6,3x 2000-PT	KSF V 140x6,3x 1500-ET	KSF V 140x6,3x 1500-EH	KSF V 140x6,3x 860-E	KSF V 140x6,3x M24
------------------------------	------------------------------	------------------------------	----------------------------	--------------------------

Nominal length (mm)

2000	1500	1500	860	300
------	------	------	-----	-----

Tube diameter (mm)

140	140	140	140	140
-----	-----	-----	-----	-----

Weight (kg)

47	34	35	17	10
----	----	----	----	----

Steel grade (tube)

S 235	S 235	S 235	S 235	S 235
-------	-------	-------	-------	-------

Item number

25643	25644	25645	25646	25675
-------	-------	-------	-------	-------

Construction

- Flange: Sheet metal S 355
- Continuous welded helix
- Average cink layer thickness 100 µm according to DIN EN ISO 1461
- Extra hard Hardox drive point
- Extra thick 6,3-mm-helix

Accessories



Connection Screw Set 4 pcs.

1,14 kg

Item No. 25648



KSF V
140x6,3xM24



KSF V
140x6,3x2000-PT



KSF V
140x6,3x1500-ET



KSF V
140x6,3x1500-EH



KSF V
140x6,3x860-E



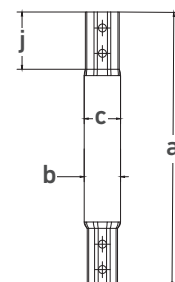
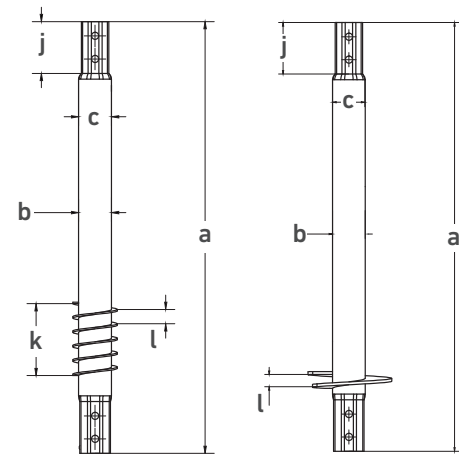
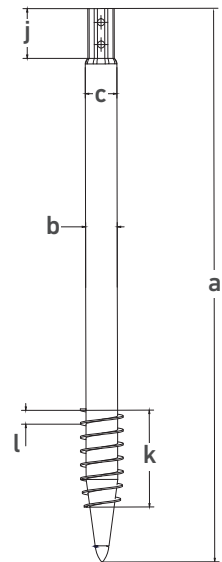
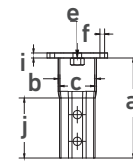
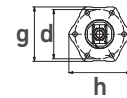
Subject to technical change! Schematic representation!

Krinner Schraubfundamente GmbH | Passauer Straße 55 | D-94342 Straßkirchen
Phone: +49 9424 9401-80 | E-Mail: service@krinner.com | www.krinner.io

sustainable · durable · revolutionary

Technical Data

	KSF V 140x6,3x 2000-PT	KSF V 140x6,3x 1500-ET	KSF V 140x6,3x 1500-EH	KSF V 140x6,3x 860-E	KSF V 140x6,3x M24	
a	Length (mm)	2000	1500	1500	860	300
b	Outer diameter (mm)	140	140	140	140	140
c	Inner diameter (mm)	127	127	127	127	127
d	Pitch circle diameter (mm)	-	-	-	-	180
e	Central thread	-	-	-	-	M24
f	Pitch circle holes (mm)	-	-	-	-	6 x Ø 14
g	Flange wrench size (mm)	-	-	-	-	200
h	Flange outer diameter (mm)	-	-	-	-	225
i	Flange thickness (mm)	-	-	-	-	15
j	Octagon connection height (mm)	180	180	180	180	180
k	Thread length (mm)	550	250	-	-	-
l	Thread pitch (mm)	50	50	50	-	-



Subject to technical change! Schematic representation!

Krinner Schraubfundamente GmbH | Passauer Straße 55 | D-94342 Straßkirchen
Phone: +49 9424 9401-80 | E-Mail: service@krinner.com | www.krinner.io

V2_042023